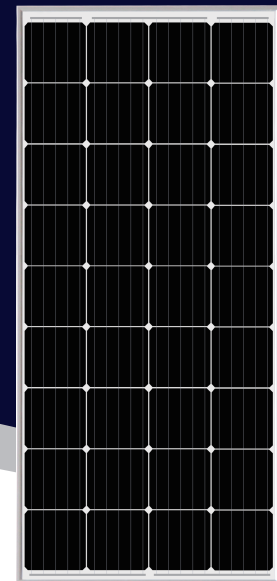


About Nanjing Lvchen New Energy Co., Ltd.

www.lvchensolar.com

Nanjing Lvchen New Energy Co. Ltd. Is a world-renowned manufacturer of photovoltaic modules locate and headquarter in Nanjing, Jiangsu province. Products range from 100w-370w at different series of high quality mono & poly PV module to satisfy to users' needs. Production plants were located in Nanjing and Suqian areas. We insist on providing open and transparent BOM list and the core material are mainly from Public listed company, with higher standards of quality control and more perfect details handing— solar modules.

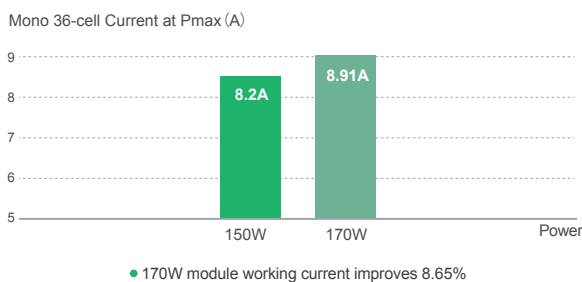


TECHNICAL ADVANTAGES

- 1 | China First Automatic Production Line Factory for Small PV Modules
- 2 | Module Materials are mainly from Public Listed Company

- Tempered Glass:** Avic Sanxin Co., Ltd.
(stock code 002163, Q CELLS, JA Solar, Trina Solar and other brand suppliers)
- EVA:** Hanzhou First Applied Mateiral Co. Ltd.
(stock code 603806, Q CELLS, LonGi Solar, Trina Solar and other brand suppliers)
- Solar Cells:** Tongwei Solar Co., Ltd.
(stock code 600438, solar cell shipment ranking NO.1 among China suppliers in 2017)
- EVA**
- Backsheet:** Jolywood Sunwatt Co., Ltd.
(stock code 300393, Q CELLS, LonGi Solar, JA Solar and other brand suppliers)
- Sealant:** Suzhou Tianshan New Material Technology Co., Ltd.
(High global market occupation)
- Isolation Strip:** Jolywood Sunwatt Co., Ltd.
(stock code 300393, Q CELLS, LonGi Solar, JA Solar and other brand suppliers)
- MC4/ Junction Box:** Zhejiang Renhe Photovoltaic Technology Co., Ltd.
(Occupying around 25% of global market)

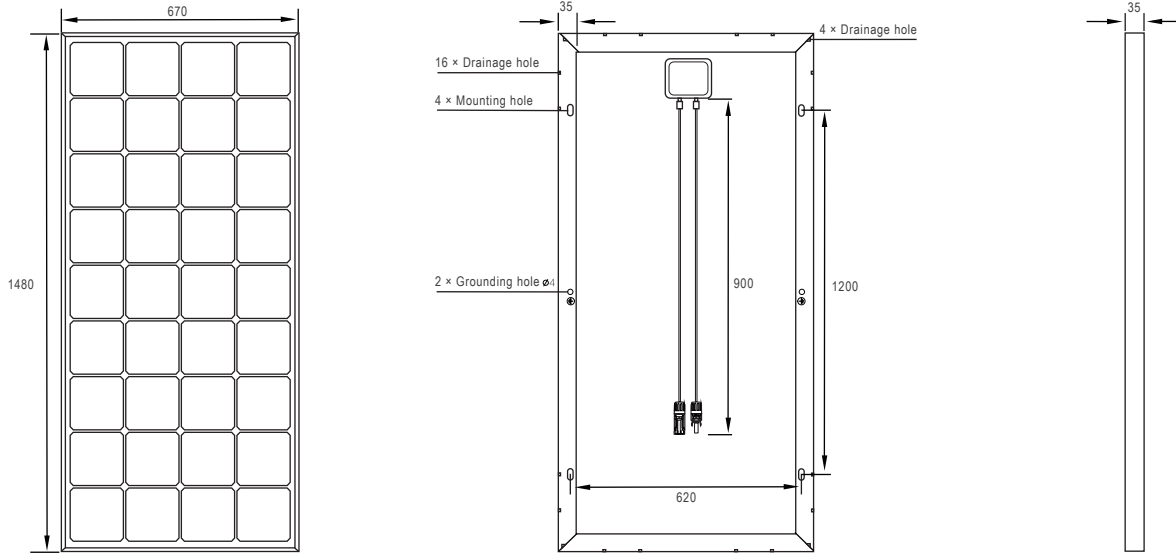
3 | Faster Charging Speed



4 | Higher Quality Control Standard, More Perfect Details Handling

- 2 times EL inspection to avoid inner cell fraction of the modules
- Power examination before packaging to avoid faulty welding and power insufficiency
- Module frame corners are smoothly polished, safer for using and installation
- Cables are fixed with tape to avoid constant knocking to the back sheet during delivery which might cause solar cells crack inside modules
- Fully automatic gluing, smoother and no spilling

ENGINEERING DRAWING (UNITE: MM)



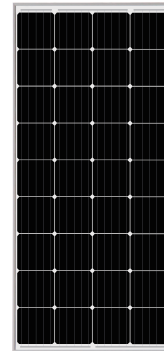
MECHANICAL SPECIFICATION

Solar Cell Type	Monocrystalline	Connector	MC4 or intermateable connector with MC4
Solar Cell Layout	36 (4*9)	Weight	11kg±5%
Junction Box	IP65 / IP67	Format	1480*670*35mm(including frame)
Cable	4mm ² , 900mm	Package	1pcs per carton / 2pcs per carton / 30pcs per pallet

ELECTRICAL CHARACTERISTICS AT STANDARD TEST CONDITIONS, STC

Model	LC-M170-36
Power at MPP (Pmax / W)	170
Open Circuit Voltage (Voc / V)	22.91
Short Circuit Current (Isc / A)	9.32
Voltage at MPP (Vmp / V)	19.08
Current at MPP (Imp / A)	8.91
Efficiency (%)	17.1
Module Tolerance Range	±3%
Standard Test Conditions (STC)	1000W/m ² , 25°C, spectrum AM 1.5G

PRODUCT DISPLAY



MINIMUM PERFORMANCE AT NORMAL OPERATING CONDITIONS, NOC

Permitted Module Temperature	-40°C~+85°C
Maxium System Voltage	1000V
Maxium Reverse Current	10A
Normal Operating Cell Temperature	45±2°C
Module Application Class	Class A

TEMPERATURE COEFFICIENTS TEST (STC)

Short Circuit Current (Isc)	+0.059%/°C
Open Circuit Voltage (Voc)	-0.300%/°C
Power at MPP (Pmax)	-0.410%/°C